

QUARTER-TURN SQUARE LATCHES



Square latch for clip-in mounting and rod latches with quick rod attachment. Cam rotation is 90° clockwise or counter-clockwise. Universal right and left mounting in a door thickness of 0,8 - 1,0 mm. The cylinder has 1000 key combinations.



MATERIAL

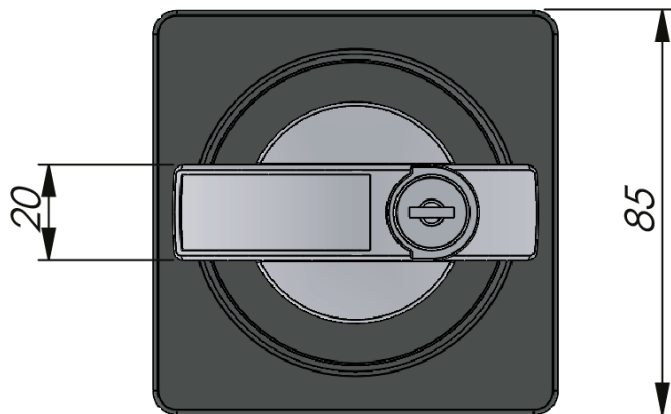
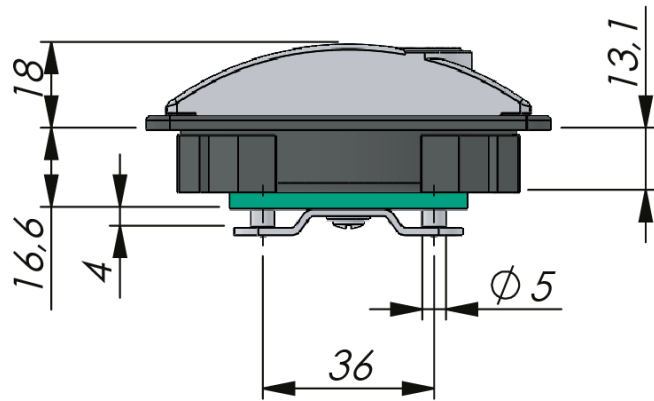
- Cam:** Steel, zinc plated
- Clip:** Steel, zinc plated
- Cylinder:** Zinc die cast, stainless steel 304 cap and dust shutter
- Handle:** Zinc die cast, silver grey coated
- Housing:** Glass fibre reinforced Polyamide (PA6GF30)

RELATED PRODUCTS

- Rods:** 2-540, 2-541
 - Rod guides:** 2-560, 2-570
- Use the Index Code at industrilas.com

TECHNICAL INFORMATION

- Key extraction:** Open / Closed
 - Cylinder information:** Supplied with two keys
- Master key system available on request.



Industrilas
— When access counts —

P/N	Description
72350001-1	Keyed alike
72350001-2	Keyed to differ

